

FM120

FROST
LINE

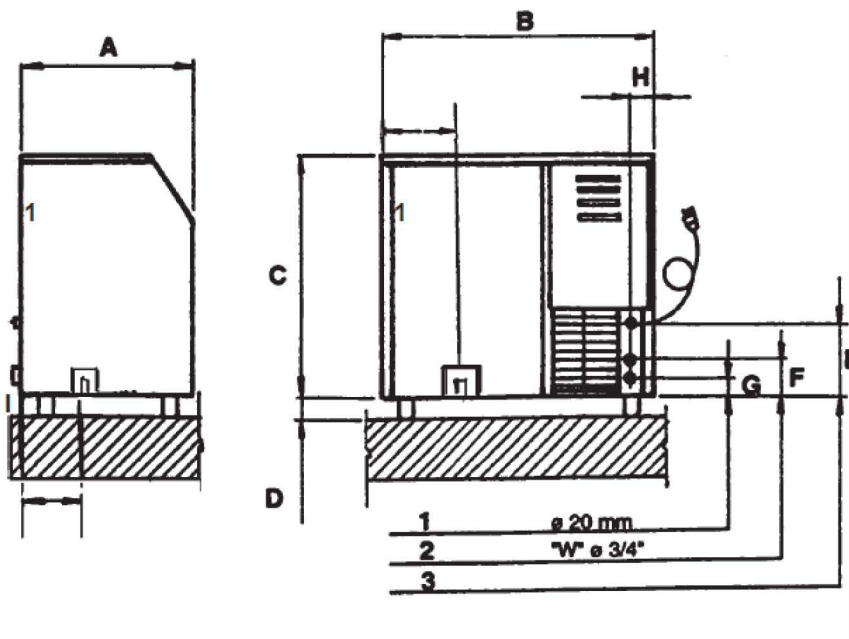


- 120kg production 60kg storage



One-year manufacturer warranty.

SPECIFICATION



DIMENSIONS

Width 920 mm
Depth 590 mm
Height 785 / 915 mm with legs

PLUMBING CONNECTIONS

(E) 10 amp 1 metre power lead 285 mm
(G) 20mm Water Outlet Gravity 58 mm
(F) 3/4" Water Inlet 70 mm