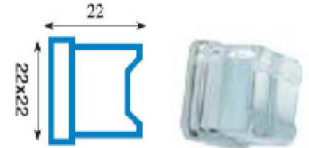
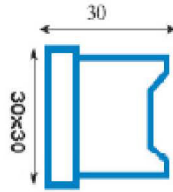


IM75



- 65kg production 30kg storage

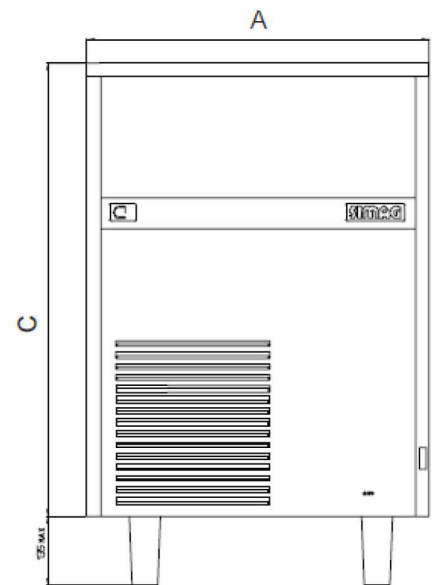
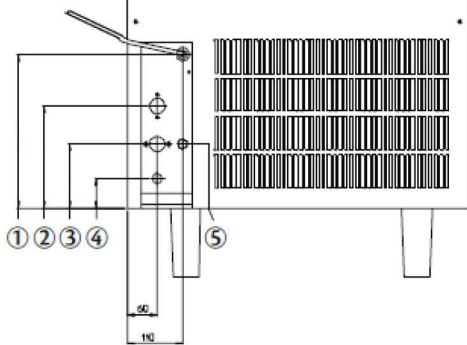


SPECIFICATION

IM Cube

IM-M Cube

- 1 - 195 mm
- 2 - 105 mm
- 3 - 55 mm



DIMENSIONS

- (A) Width 670 mm
- (B) Depth 595 mm
- (C) Height 900 / 1030 mm with legs

CONNECTIONS

- (1) 10 amp 1 metre power lead
- (2) 20mm Water Outlet Gravity
- (3) 3/4" Water Inlet